



LOCK UP WITH LOCKWOOD®

# 9800 Series

## Concealed Overhead Transom Door Closers

- Suitable for Fire, Aluminium, Timber and Glass Doors
- Fire Rated
- 90° & 105° Hold Open
- Double Action
- Door Pivot Sets
- Lockwood Guaranteed

## Lockwood 9800 Series Concealed Overhead Transom Door Closers

Lockwood 9800 Series Concealed Overhead Transom Door Closers provide a solution for applications where door control must be provided without disturbing the appearance of the door.

The closer fits into the transom above the door, most of the preparatory work is undertaken prior to installation, leaving minimal on-site fitting.

Fully concealed door closers are designed to provide positive centering and door control on manually operated single or double action internal and external doors in schools, hospitals, clubs, factories, offices and commercial buildings.

### Features

- Suitable for fire, metal, timber and glass doors.
- Suitable for both single and double action doors.
- Adjustable closing and latching speeds.  
(Closing from 130° to 15°, latching from 15° to 0°.)
- All models feature easy to install side load design.
- Maximum door opening angle of 130°.
- Mechanical hold-open at 90° & 105°.
- Built in back check from approximately 80°.
- Fully adjustable, vertically within opening & central parking positions.
- 70 mm pivot point.

### Specifications

- High grade cast iron body.
- Internal mechanism components utilising heat treated high alloy steels and ball bearings for optimum efficiency.
- Stable hydraulic oil for a wide range of climatic conditions enabling constant operation.
- Built in pressure release valve protects closer from rough use.
- Compact body size fits into 44.5 mm x 100 mm header section.

### Door Pivot Sets

- Suitable for door applications when a free swing pivot door is required. Consists of retractable top pivot set with heavy duty bottom pivot and strap.
- Suitable for Aluminium, Timber and Glass Doors.



### FIRE RATED

Lockwood OTC series hydraulic door closers have been successfully tested on fire door assemblies in accordance with Australian Standard AS 1905 Part 1, 1997 Fire Resistant Doorsets.

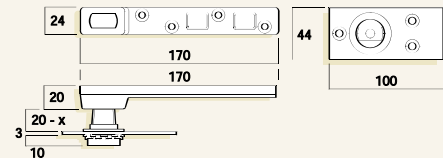
### Size Selection Chart

Spring Size	Door Width	Max Door Weight	Closing Torque
2	850 mm	120 kgs	16 Nm
3	1050 mm	120 kgs	21 Nm
4	1220 mm	120 kgs	29 Nm

### Limiting Dimensions

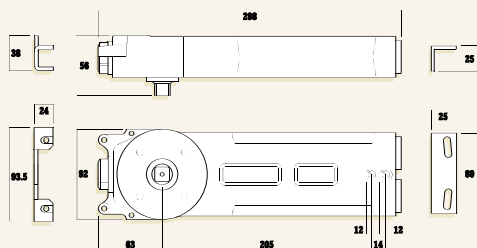
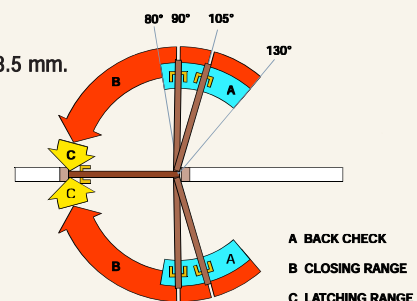
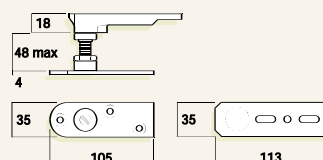
#### Heavy Duty Bottom Pivot

- 200 kg Fire Rated Heavy Duty.



#### Universal Bottom Pivot

- Fully adjustable height 31.5 mm to 58.5 mm.
- 120 kgs loading radial bearing.



## OTC Product Range

**Note:** All products supplied with accessories suitable for Aluminium door applications. For Fire/Timber Door applicable door kits need to be added.

### OTC Fire Doors

FIRE RATED

A range of Overhead Transom Door Closers specifically designed to suit the exacting demands of the Australian Fire Door requirements.

#### Fire Doors

**9853BCN**

Size 3 Overhead Transom Closer with Back Check.

**9854BCN**

Size 4 Overhead Transom Closer with Back Check.

#### Fire Door Kit

**985-200**

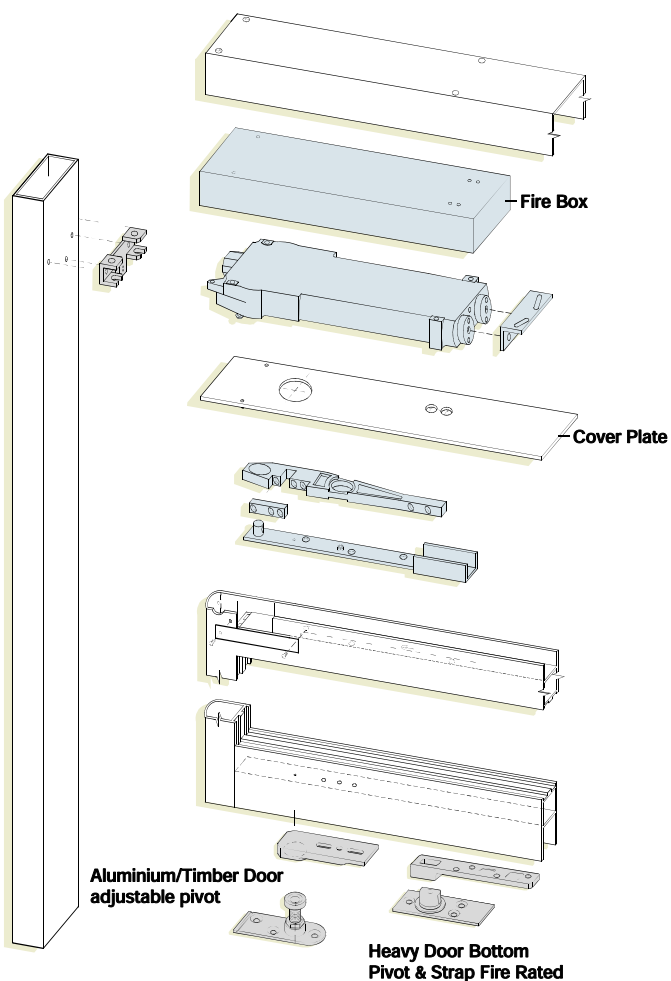
#### Fire Box

**SP985-20**

### Aluminium/Timber/Glass Doors

A range of OTC Designed specifically to meet the needs of Aluminium door requirements. Standard features include Non hold open, 90° and 105° hold open. Adjustable bottom spindle to suit both applications.

#### Exploded View



#### Non Hold Open

**9852N**

Size 2 Overhead Transom Closer Non Hold Open.

**9853N**

Size 3 Overhead Transom Closer Non Hold Open.

**9854N**

Size 4 Overhead Transom Closer Non Hold Open.

#### 90° Hold Open

**9852H90**

Size 2 Overhead Transom Closer 90° Hold Open.

**9853H90**

Size 3 Overhead Transom Closer 90° Hold Open.

**9854H90**

Size 4 Overhead Transom Closer 90° Hold Open.

#### 105° Hold Open

**9852H105**

Size 2 Overhead Transom Closer 105° Hold Open.

**9853H105**

Size 3 Overhead Transom Closer 105° Hold Open.

**9854H105**

Size 4 Overhead Transom Closer 105° Hold Open.

#### Door Kit for Timber Doors

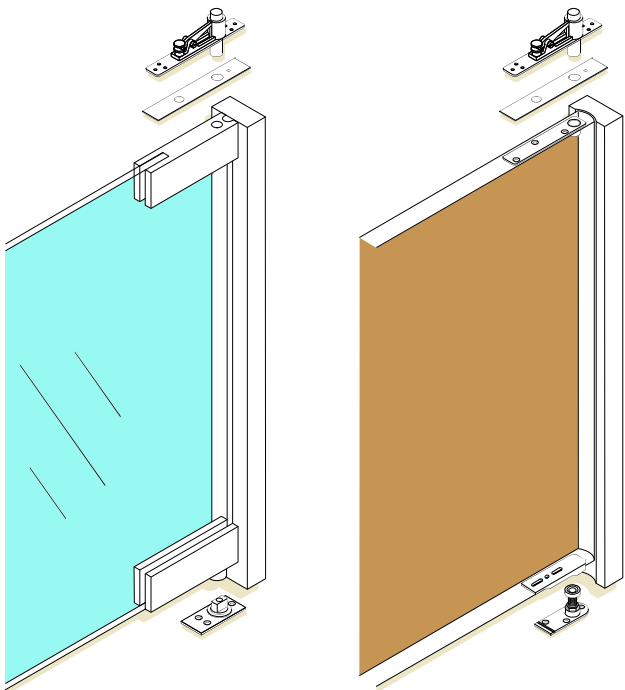
**SP985-10**

Cover Plate.

## Pivot Sets

### Pivot Door Sets

Suitable for door applications where a free swing pivot door is required. Consists of retractable top pivot set with heavy duty bottom pivot and strap. Suitable for Aluminium, Timber and Glass Doors.



Typical Glass Door Installation

Typical Aluminium or Timber Door Installation

### Pivot Door Sets

#### 985-300SSS

Aluminium/Timber Door

#### 985-350SSS

Glass Door

### Door Pivot for Glass Doors

#### SP985-35

Heavy Duty Pivot.

### Heavy Duty Bottom Pivot (200 kgs)

#### SP985-35

Heavy Duty Pivot.

#### 985-30

Bottom Strap.

Visit us at: [assaabloyasiapacific.com](http://assaabloyasiapacific.com)

## ASSA ABLOY Sales Offices & Authorised Agents in Asia Pacific

### Victoria – Head Office

Telephone (03) 8574 3888  
Facsimile (03) 8574 3788

### Queensland South

Telephone (07) 3373 5200  
Facsimile (07) 3373 5256

### Queensland North

Telephone (07) 4779 0177  
Facsimile (07) 4775 1480

### NSW – Commercial

Telephone (02) 8543 3700  
Facsimile (02) 9531 7944

### NSW – Residential

Telephone (02) 9620 9111  
Facsimile (02) 9620 9055

### Abloy Security

Telephone (02) 9882 6066

### South Australia

Telephone (08) 8364 1930  
Facsimile (08) 8364 1931

### Western Australia

Telephone (08) 9227 9588  
Facsimile (08) 9227 8913

### Tasmania

Telephone (03) 6223 5404  
Facsimile (03) 6224 0435

### Christchurch

Telephone (03) 379 4810  
Facsimile (03) 379 4819

### Export Department

Telephone  
+61 (0)3 8574 3888  
Facsimile  
+61 (0)3 8574 3789

### Asian Offices

ASSA ABLOY – Malaysia  
ASSA ABLOY – Singapore  
ASSA ABLOY – Thailand  
ASSA ABLOY – Hong Kong  
ASSA ABLOY – Shanghai  
ASSA ABLOY – Beijing  
ASSA ABLOY – Korea

Contact the Export Department, Australia for details.



## ASSA ABLOY

### Lockwood Guarantee

ASSA ABLOY Australia Pty Limited ("ASSA ABLOY") guarantees its Lockwood products against defects in workmanship and materials. If within the normal working life of a product it is found to be defective, ASSA ABLOY will supply the same or equivalent product free of charge. All electrical and electronic components used in ASSA ABLOY's range of products excluding batteries are guaranteed for a period of 12 months from the date of proof of purchase, unless stated otherwise.

ASSA ABLOY assumes no liability under the guarantee for the following:

1. Improper installation or failure to follow fitting instructions.
2. Failure due to improper maintenance.
3. Failure due to fair wear and tear.
4. Indirect or consequential loss or damage.
5. Cost of removal and/or replacement.

6. Cost of freight and/or travelling time.
  7. The plated finishes Florentine Bronze, Architectural Bronze, Polished Brass, Gold and Satin Brass, "which" are classified as soft finishes. As deterioration is possible under some environmental conditions, these finishes are excluded from this guarantee.
  8. Any modification or repairs to a product, as supplied, unless authorised by ASSA ABLOY Australia Pty Limited.
  9. Use of replacement parts other than authorised parts.
  10. Malfunction or failure of the product due to the use of non-genuine Lockwood parts.
  11. Malfunction or failure of the product due to the use of non-specified batteries.
- Nothing in the ASSA ABLOY Australia Pty Limited guarantee excludes, restricts or modifies any condition, warranty, right or liability implied or protected by law where to do so would render the Guarantee, or any part of it, void.